

CS 340

Side Flange Case Sealer



Automatic Side Flange Case Sealer

- Up to 2400 Cases Per Hour
- Allen Bradley Components
- Mechanical Simplicity
- No External Air
- Portable



CS 340

Side Flange Case Sealer

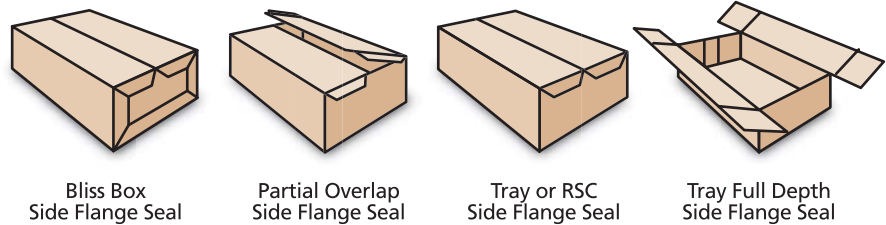
Standard Features:

- Auto Jam Shut Down Sensor
- Special Electrical Torque Control Automatically Shuts Down Air and Electrical Circuits if a Jam Occurs
- Spring Mounted Flight Bars are Easily Removed, Enabling Easy Jam Clearing
- Automatic Case Index Gate
- NEMA 12 Electrical Controls

Available Options:

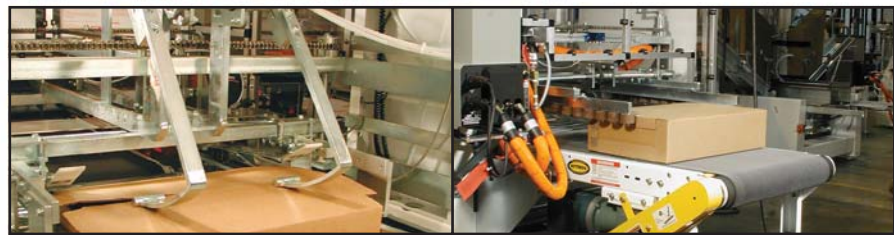
- Pressurized Glue System
- Full Depth Seal
- Kwik-Change Features
- Casters
- NEMA 4 or 4x Electrical Controls
- Upgraded PLC
- Three-Color Stack Light
- Extra E-Stop Station
- Powered Discharge Conveyor

Case Design Specifications:



Case Size Capabilities		
	Minimum	Maximum
Length	9" (229 mm)	33" (838 mm)
Width	10" (254 mm)	16" (406 mm)
Depth	4.5" (114 mm)	16" (406 mm)

The designs shown above are just a few examples of cases sealed on the CS 340. For sizes not fitting within the standard dimensions shown here, SWF Companies welcomes the opportunity to assist in designing a system to seal cases which exceeds production model limitations. Machine is capable of minimum and maximum dimensions as shown. However, the full range, smallest to largest cannot be realized on an individual (single machine.)



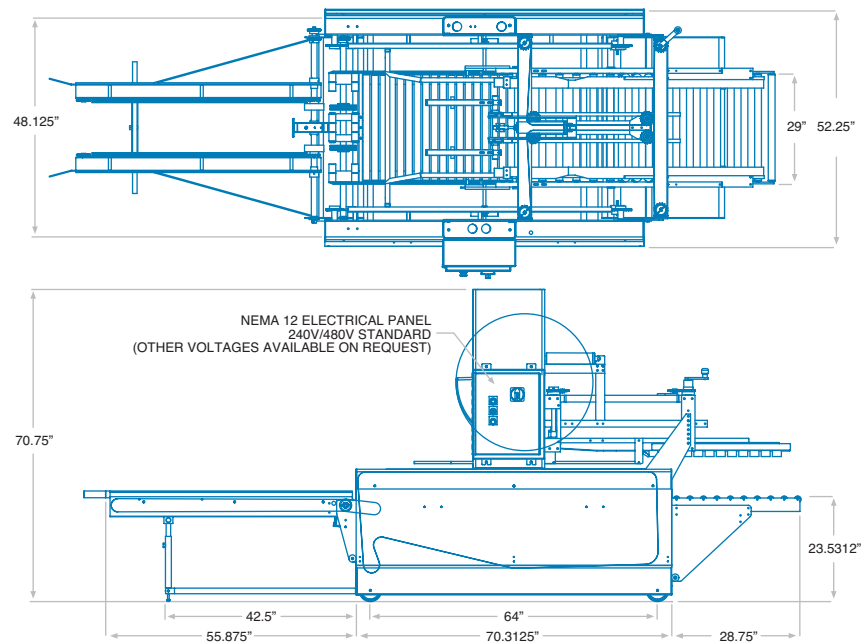
Positive Trailing Flap Tucker (Closer)

Powered Discharge Conveyor (Optional)

Machinery Specifications:

Utilities Required:

Electrical: 240/480 Volts, 3 Phase, 60 Hz



To learn more about the CS 340 and SWF Companies' broad line of forming, erecting and sealing solutions for secondary packaging, case/tray packing systems and horizontal/vertical cartoners, please visit our website at www.swfcompanies.com



www.swfcompanies.com | 800.344.8951 | info@swfcompanies.com

